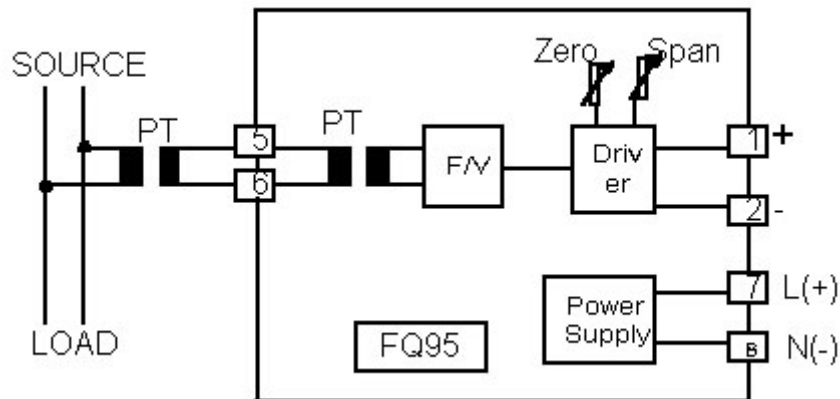


# Frequency Transducer FQ95



- Input 110 VAC, 220 VAC
- Output 4-20 mA, 0-5 VDC, 0-10 VDC

**Frequency Transducer FQ95** provided a precision DC output proportional to deviation from center frequency (50 or 60Hz) of AC. supply.



## Specifications

### Input

**Number of channel:** 1 Channel

**Input type:** Voltage

**Input range:** 110, 220 VAC

**Frequency:** 45 to 55, 55 to 65,  
45 to 65 Hz

### Analog Output

**Number of channel:** 1 Channel

**Output type:** Current, Voltage

#### Output range:

Current Max 0 to 1 mA (Load Resistance  
10 K $\Omega$ )

Current Max 0 to 5 mA (Load Resistance  
2 K $\Omega$ )

Current Max 0 to 10 mA (Load Resistance  
1 K $\Omega$ )

Current Max 0 to 20 mA (Load Resistance  
600  $\Omega$ )

Current Max 4 to 20 mA (Load Resistance  
600  $\Omega$ )

Voltage Min 0 to 10 mVDC (Load Resistance  
500  $\Omega$ )

Voltage Min 0 to 100 mVDC (Load Resistance  
500  $\Omega$ )

**Ordering Information:** Specify Input voltage, Input range, Power supply

Example FQ95/110 VAC/45-55 Hz/4-20 mA/220 VAC

### Package Checklist

1. FQ95

Voltage Min 0 to 1 VDC (Load Resistance  
500  $\Omega$ )

Voltage Min 0 to 5 VDC (Load Resistance  
1 K $\Omega$ )

Voltage Min 1 to 5 VDC (Load Resistance  
1 K $\Omega$ )

Voltage Min 0 to 10 VDC (Load Resistance  
2 K $\Omega$ )

**Linearity:** <  $\pm$  0.5 % of span

### Power Requirements

**Power Supply:** 110, 220 VAC

### Environmental Limits

**Operating Temperature:** 0 to 55  $^{\circ}$ C

**Operating Humidity:** 5 to 95% RH

**Storage Temperature:** 0 to 70  $^{\circ}$ C

### Physical Characteristics

**Dimension:** W50 x H70 x D130 mm.

**Mounting:** Wall or DIN rail

**Connection:** plug-in

**Wiring:** Screw terminals on base socket

### Warranty

**Warranty Period:** 5 year